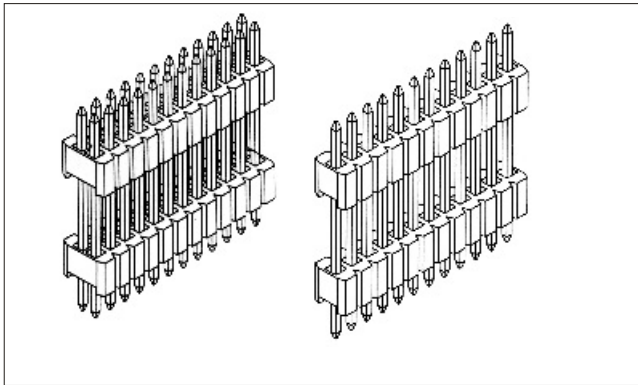


Pin Header
 Board Space Single Row/ Dual Row
 Straight DIP Type Pitch:1.27mm

Series
 331 ~333
 335 ~339

sgdconn

Http://www.sgdconn.com

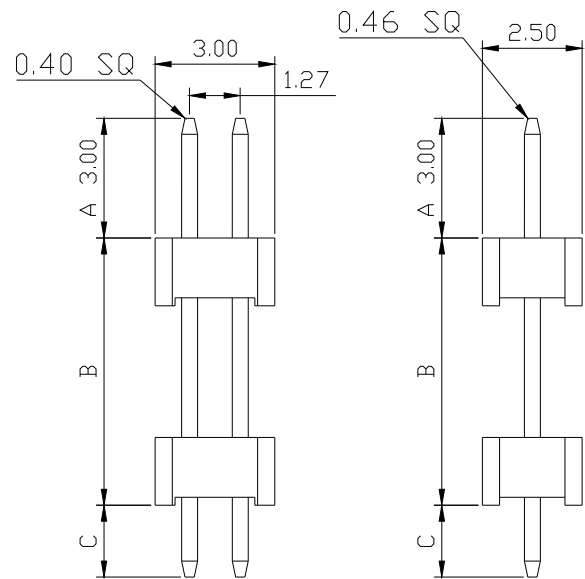
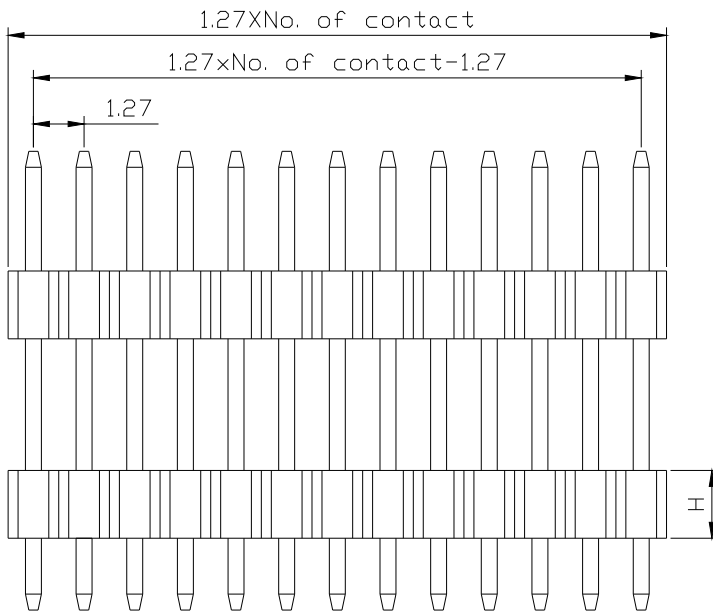
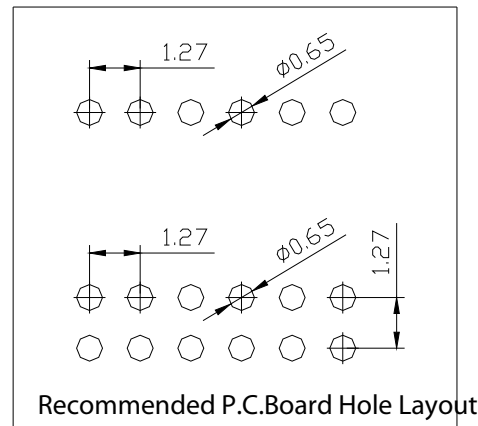
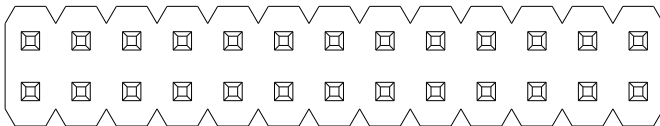
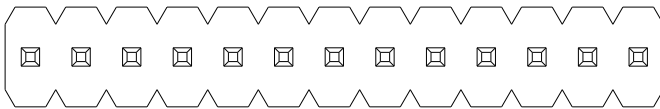


SPECIFICATIONS:

Current Rating: 1.0 AMP
 Contact Resistance: 30mΩ Max
 Insulation Resistance: 1000MΩ Min
 Withstand Voltage: 300VAC/minute
 Operation Temperature: -40°C to +105°C

MATERIALS:

Contact Material: Copper Alloy
 Contact Plating: Gold or Tin over 50μ" Ni
 Insulator Material: Polyester(UL94V-0)
 Standard: PA 46



Ordering Code

① ② ③ ④ ⑤ ⑥ ⑦ ⑧ ⑨ ⑩
 3 3 X X XX S X X 2 XXX

① Series No.:
 3= Pin Header

② Pitch: 3= 1.27mm

③ Insulator Height:
 1 = 1.00mm 2 = 2.00mm
 3 = 2.50mm 5 = 1.50mm
 6 = 1.60mm 7 = 1.70mm
 8 = 0.80mm 9 = 0.65mm

④ Dip Spacing:
 1=Single row
 2=Double row

⑤ Number of Contacts:
 Single row=01 to 40
 Double row=02 to 80

⑥ Tail & Mounting Style:
 S= Straight DIP type

⑦ Contact Plated
 0= Tin
 1= Gold Flash
 2= Gold 3u"
 3= Gold 5u"
 4= Gold 10u"
 5= Gold 15u"
 6= Gold 30u"

⑩ Pin Length
 XXX=A+B+C

⑧ Material Type
 2=LCP
 3=Nylon-66
 4=Nylon-6T
 5=PA46

⑨ Tiers of Body
 1= Single tier
 2= Double tier
 3= Triple tier

Due to technical progress, all the information provided is subject to change without prior notice.