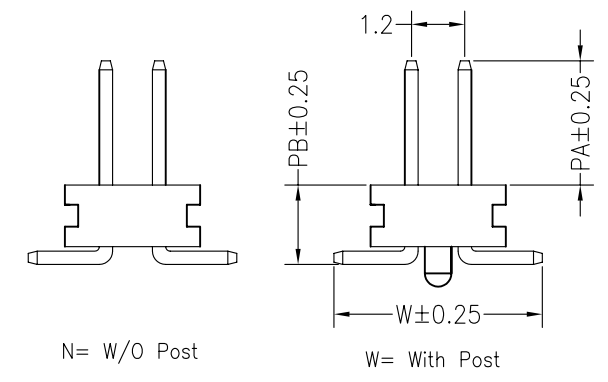
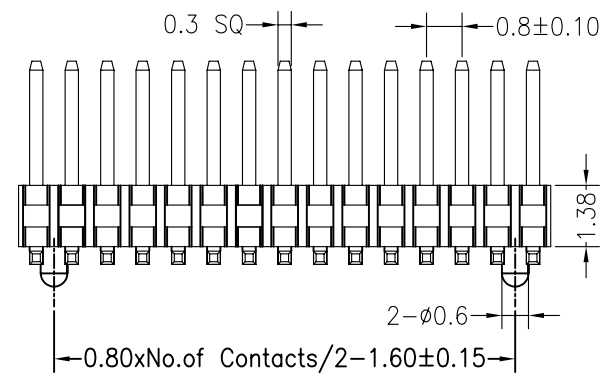
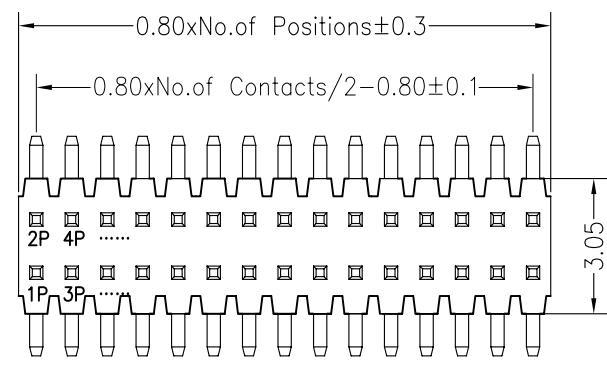
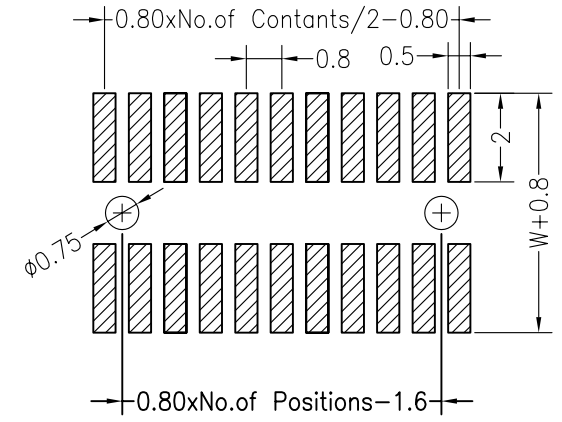


SPECIFICATIONS

Rated Current:0.75AMP
 Contact Resistance:30mΩ Max
 Withstand Voltage:500V AC/DC
 Insulation Resistance:1000MΩ Min
 Operation Temperature:-40°c to +105°c

Contact Material:Brass
 Contact Plating:Au Over Ni
 Insulator Material:Polyester(UL94V-0)
 Standard: LCP
 Max.Processing Temp: 230°C for 30-60 seconds
 (260°C for 10 seconds)

Recommended P.C.B Layout(Top Side)
 (PCB BOARD TOLERANCE±0.05)



Ordering Information

1714 -12 XX X X XX M XXX 01

No.of Pins Per Row	Insulator Material Option	Post	Contact Plating	Pin Length
2x50 2~100	A=BK-PBT B=BK-PA66 C=BK-PA6T D=BK-PA46 F=BK-LCP	W=With Post N=W/O Post	G0:Gold Flash G2:5U" Gold G3:10U" Gold G4:15U" Gold G5:30U" Gold S0:Gold Flash/Tin SN:Tin	

ITEM	PA	PB	W	L
Standard	2.80	1.80	4.60	6.00
Alternate				

				OPERATION		DRAW	YiYuSheng	12.04.18	SCALE	FIT	深圳市山谷道电子有限公司 电话: 0755-27759859 传真: 0755-27759850	
				X.X	±0.30				UNIT	mm		
						CHECK			SIZE	A4	PART NO. 1714-12XXXXXXMXXX01	
				X.XX	±0.20				SHEET	1/1		
						APPROVE			PROJ.	◆	TITLE: 0.8*1.2mm Pin Header Dual Row SMT	
				X.XXX	±0.10				Angle	±3°		
REV	DATE	MODIFICATION DESCRIPTION		CHANGE	DIM	TOL						